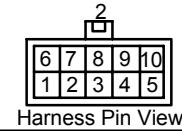
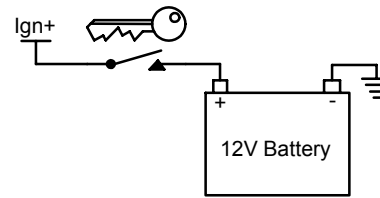


Ford E40D ECU Mag V 20.0

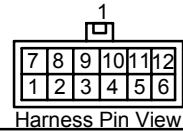
File Name: Ford E40D ECU Mag V 20.0

Harness Required: G10 & G06

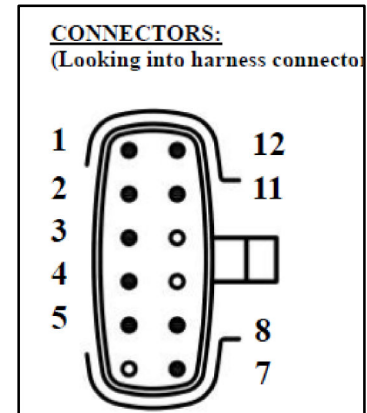
Last Changed: 09/01/2012



- 1. Blue Gearbox
- 2. White Gearbox
- 3. Red Gearbox
- 4. NC
- 5. Blue Green Mode LED +
- 6. Green Gearbox
- 7. Black Speedo Out
- 8. Yellow Gearbox
- 9. Brown +12V Relay Supply
- 10. Red Red Lock-Up LED +



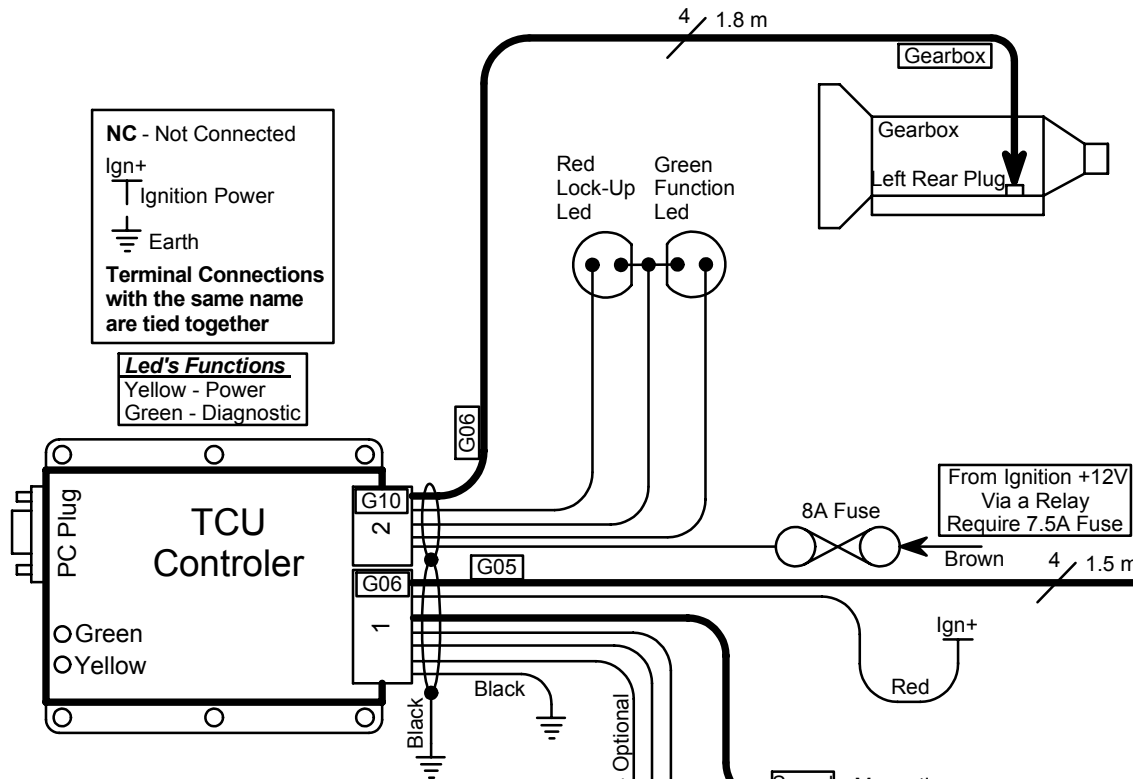
- 1. Yellow Down Shift Button
- 2. Yellow TPS Signal 0V to 5V
- 3. Blue Map Signal 0V to 5V
- 4. NC
- 5. NC
- 6. Green RPM Pulse
- 7. Green Up Shift Button
- 8. Red Reverse Signal
- 9. NC +5V Out
- 10. Red +12V Supply In
- 11. Red Speed Sensor
- 12. NC



Pin	Harness + Color	Resistance
		Cold Hot
12	Gearbox Blue	4.3 - 6.5
5	Gearbox White	21- 30
3	Gearbox Yellow	21- 30
4	Gearbox Green	21- 30
2	Gearbox Red	21- 30
1 & 11	Earth to Casing	

NC - Not Connected
Ign+ Ignition Power
Earth
Terminal Connections with the same name are tied together

Led's Functions
Yellow - Power
Green - Diagnostic



ECU System
Green - ECU Ign (Hall / Optic Sensor) 1 Pulse / Spark
Yellow - ECU Orange - Mr Turbo Blue/Yellow - GoTech Grey/Red - Dictator (5V TPS Signal)

Description Harness
Negative Blue
Positive Red

The TPS must be connected to an ECU system which supplies the 5V and ground signal

